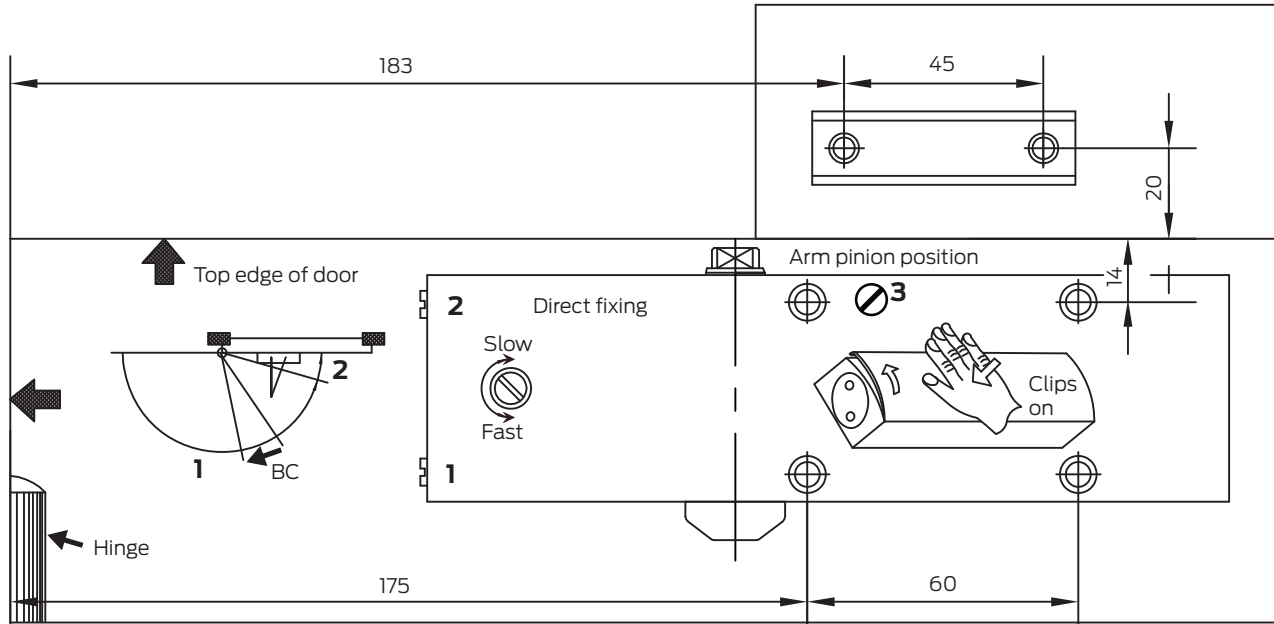


### Right Hand Installation

#### Hinge-pull side mounted

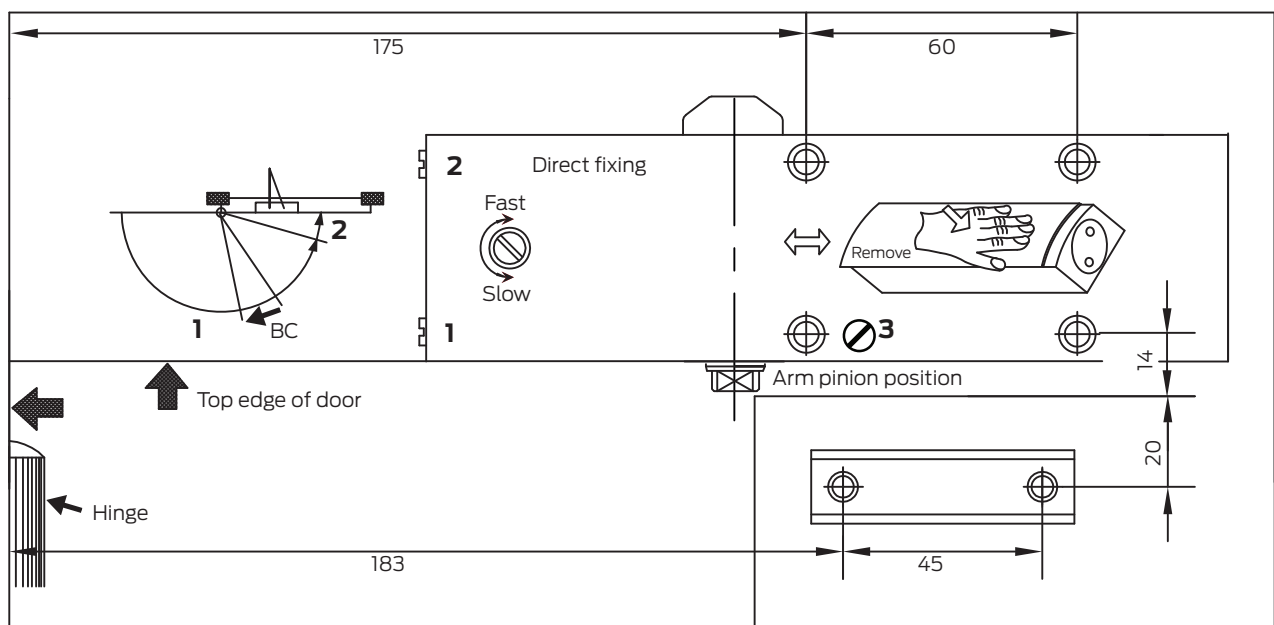


- 1 - Closing speed
- 2 - Latching speed
- 3 - Backcheck

#### Notes

- Backcheck valve can not be closed completely.
- Don't use external force when the door is closing, otherwise the door closer will be damaged.
- Use indicated measurements to mark fixing points.

#### Top jamb-push side mounted



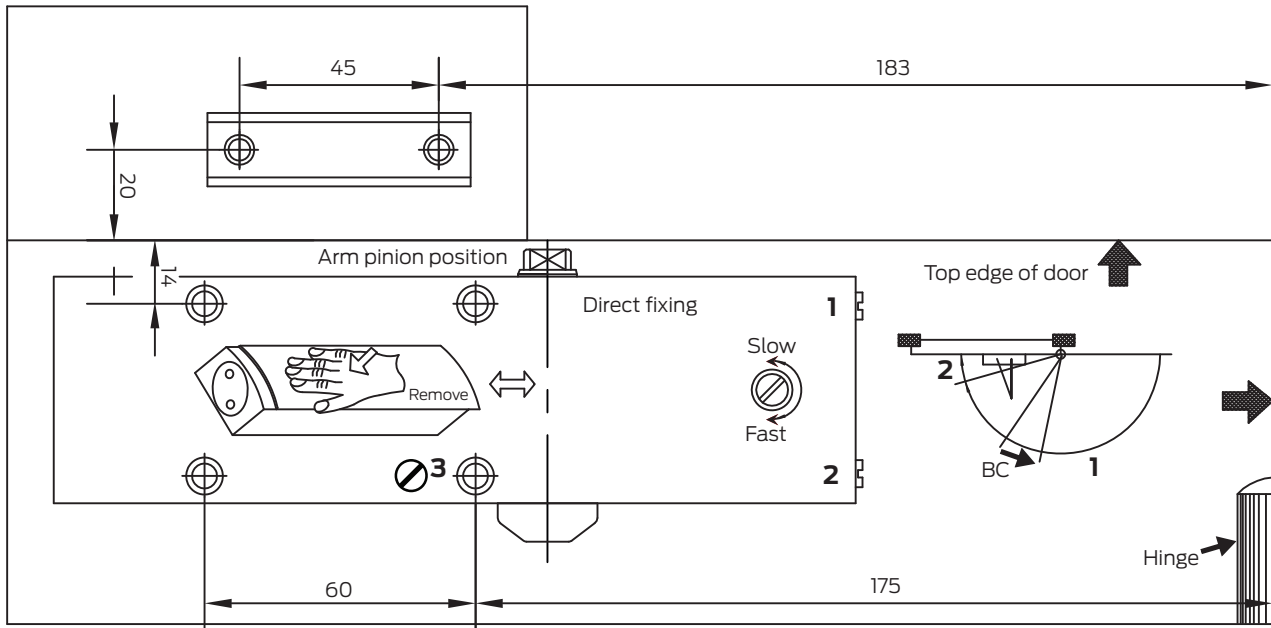
- 1 - Closing speed
- 2 - Latching speed
- 3 - Backcheck

#### Notes

- Backcheck valve can not be closed completely.
- Don't use external force when the door is closing, otherwise the door closer will be damaged.
- Use indicated measurements to mark fixing points.

# Left Hand Installation

## Hinge-pull side mounted

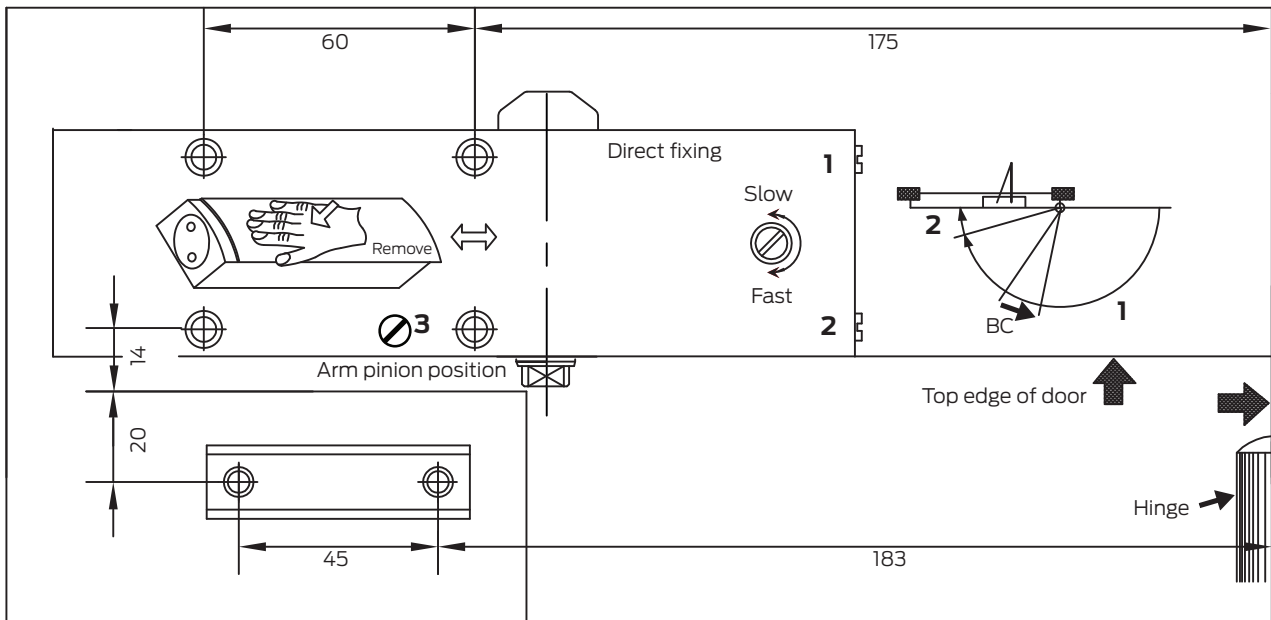


- 1** - Closing speed
- 2** - Latching speed
- 3** - Backcheck

### Notes

- Backcheck valve can not be closed completely.
- Don't use external force when the door is closing, otherwise the door closer will be damaged.
- Use indicated measurements to mark fixing points.

## Top jamb-push side mounted



- 1** - Closing speed
- 2** - Latching speed
- 3** - Backcheck

### Notes

- Backcheck valve can not be closed completely.
- Don't use external force when the door is closing, otherwise the door closer will be damaged.
- Use indicated measurements to mark fixing points.