



# 3800 Series Brass Pull Handles Installation Instructions

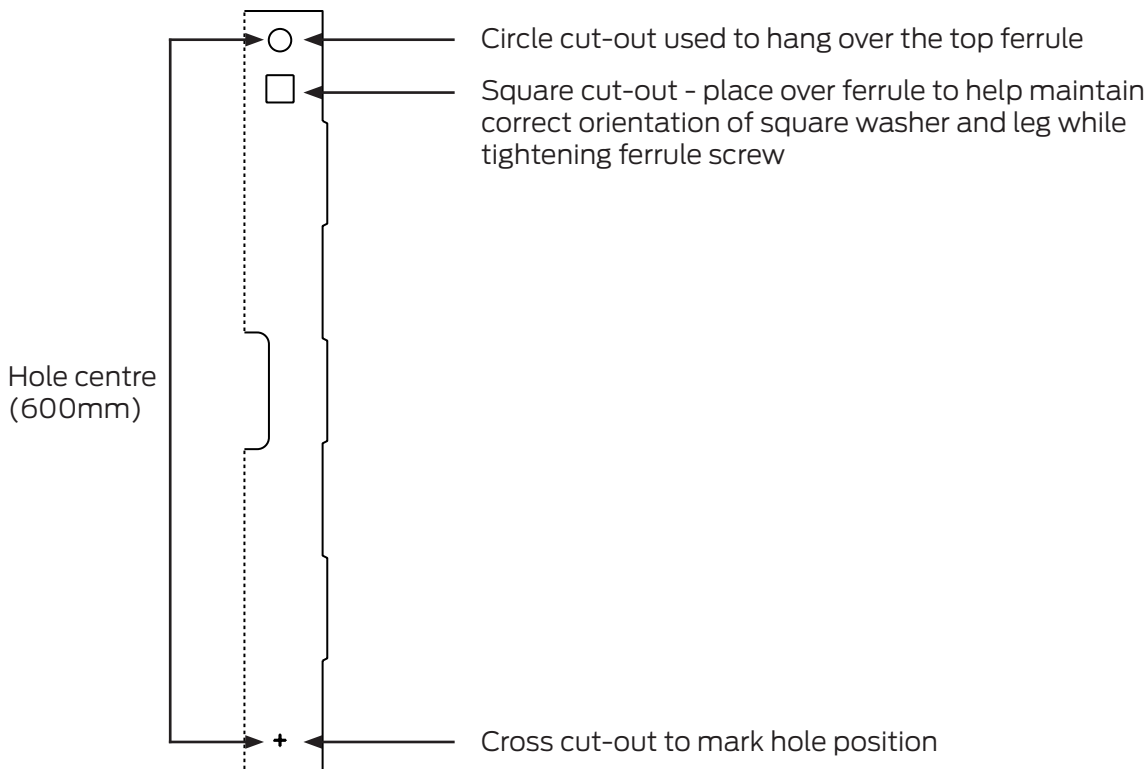
## Single Fix External

### Tools required

- Tape measure
- Soft pencil
- Level
- 6mm drill bit
- 10mm drill bit
- Drill
- #2 Allen key
- #4 Allen key
- Square tool

**Figure. 1**

### Cardboard template

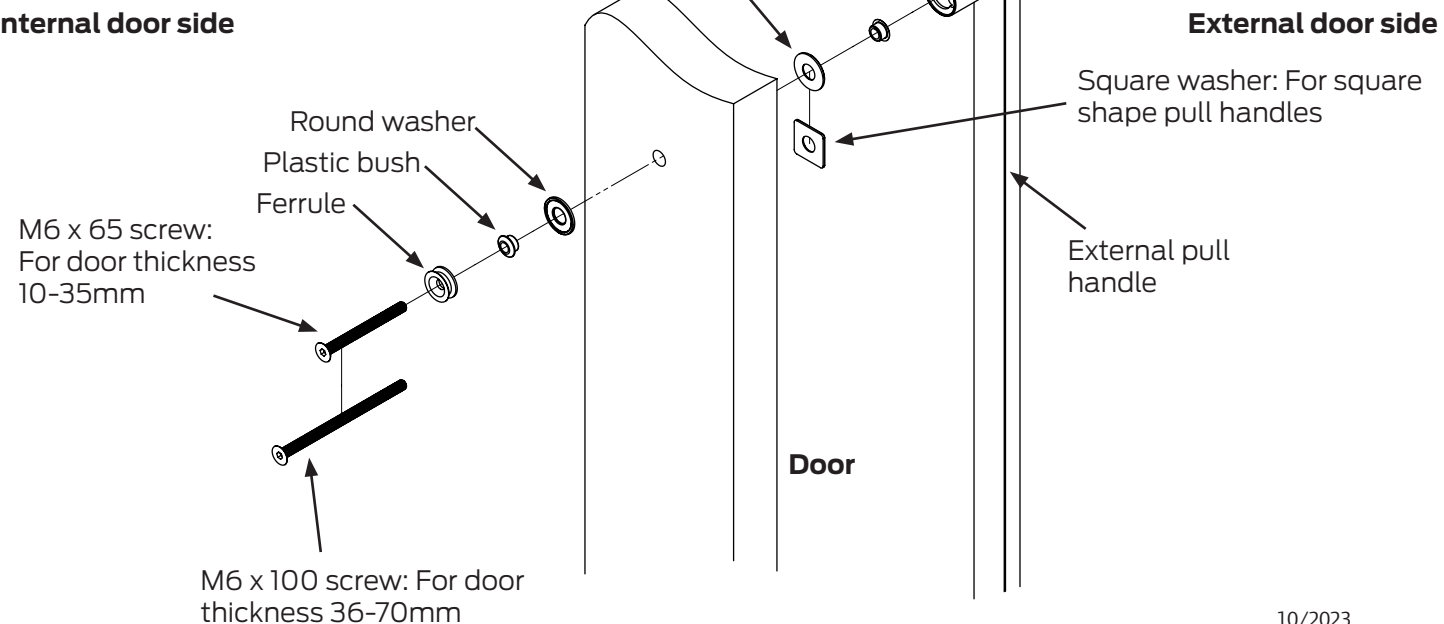


**Figure. 2**

### Internal door side

Round washer: For round shaped pull handles

### External door side





# 3800 Series Brass Pull Handles

## Installation Instructions

### Single Fix External

#### Instructions

1. Use a **square tool** to mark the top hole position on both sides of the door using a **soft pencil**.
2. On internal side of the door, **drill** a 6mm pilot hole halfway through the top hole position and then **drill** a 10mm hole halfway. Repeat on the external side of the door until they meet for a through hole.
3. Remove the cardboard template (*Figure. 1*) located at the inner fold of the lid from the packaging. The square cut-out can be used to help orientate the square washer and ferrule correctly if required in step 4.
4. Using a **#4 Allen key**, assemble the ferrule fixings for the internal side and screw into the external pull handle with washer installed. Refer *Figure. 2*. Ensure screw is tight.  
**Note: For metal doors, ensure the door is not deformed due to overtightening.**
5. Hang the cardboard template on the ferrule using the circle cut-out and push the template flat against the door. Use a **level** to help straighten the template.
6. Then with a **soft pencil**, use the bottom cross cut-out to mark the bottom hole position and use a **square tool** to help mark this position on the opposite side of the door.  
**Warning: Before drilling a through hole ensure the external pull handle is not in the way.**
7. Repeat step 2 for the bottom hole.
8. Repeat step 4 for the bottom hole.
9. Place the brass caps onto the ferrules and use a **#2 Allen key** to tighten the pre-assembled grub screw (*Figure. 3*).

**Figure. 3**

#### Side view - brass cap

