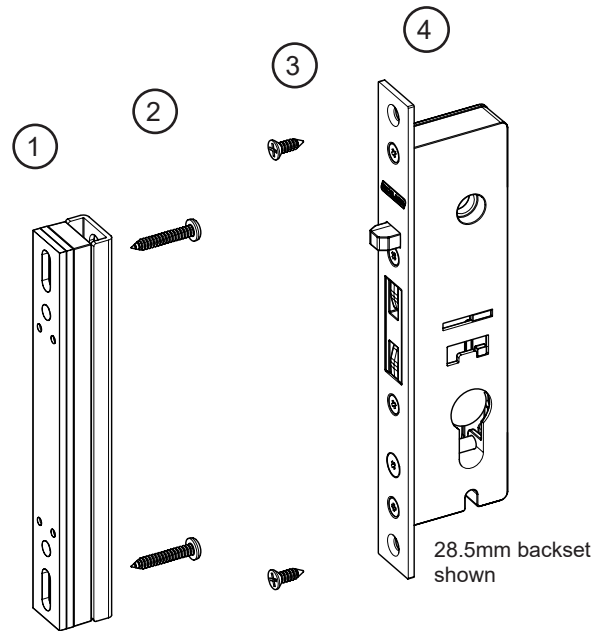


Sliding Mortise Lock Installation Instructions



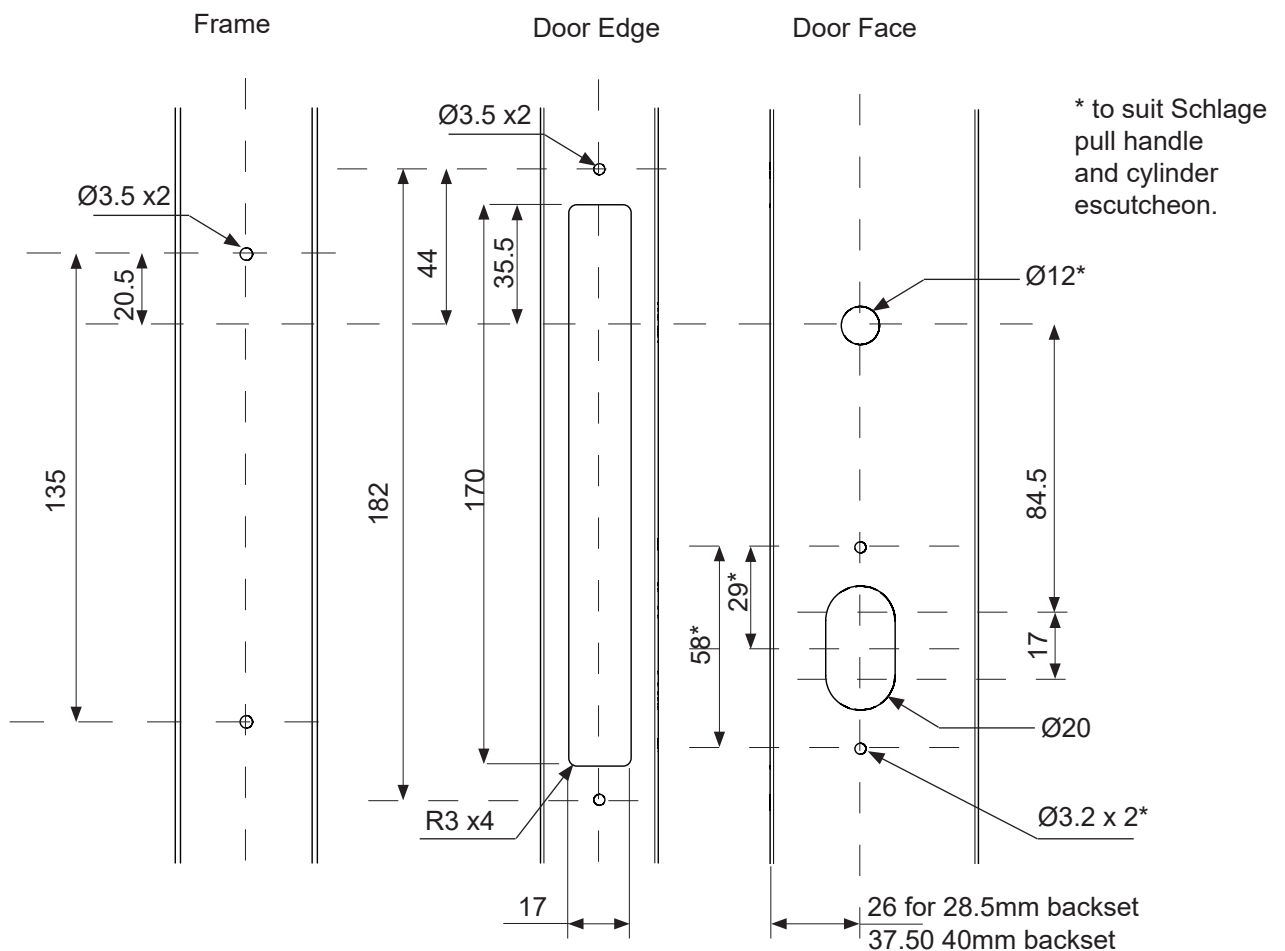
Pack Contents:

1. 1 x Strike (preassembled)
2. 2 x No.8 x 25mm fixing screws
3. 2 x No.8 x 12mm fixing screws
4. 1 x Sliding Mortise Lock 28.5/40mm Backset (28.5mm backset shown).



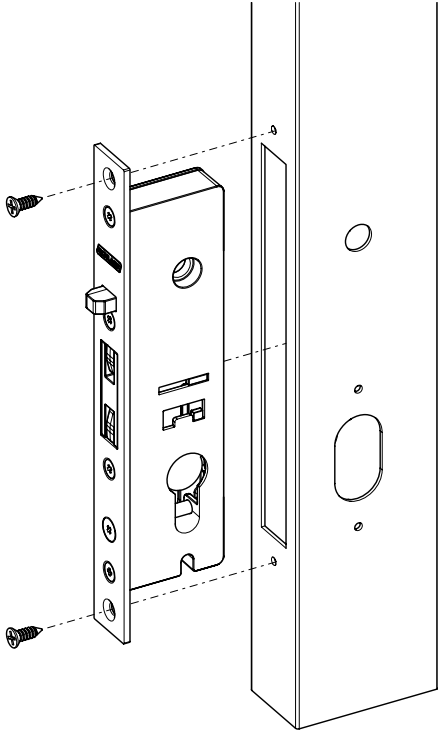
1. Door Preparation

(a) Route the door.



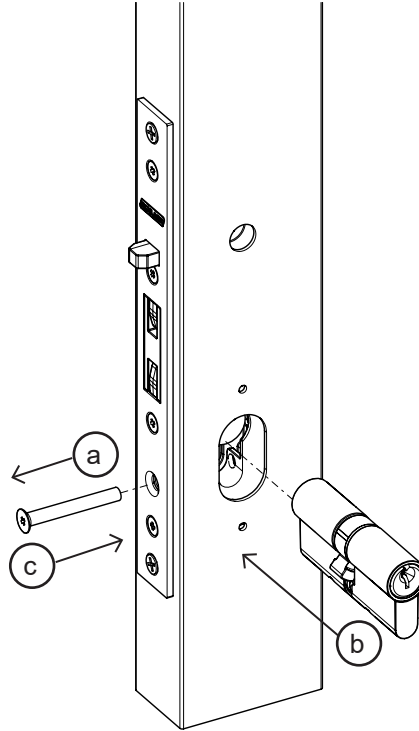
2. Install Mortice Lock

- (a) Install the sliding mortice lock using the two No.8x12 screws supplied.



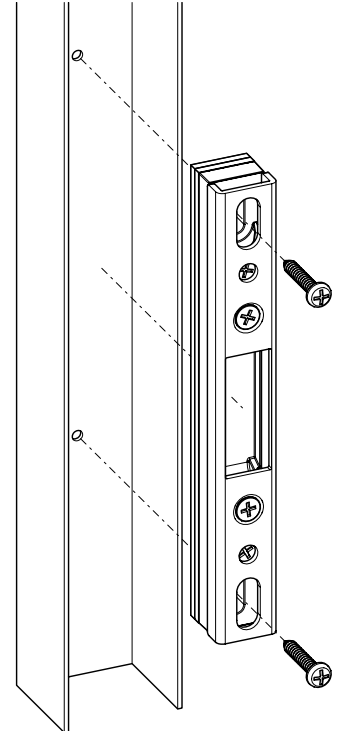
3. Install Cylinder

- (a) Remove the cylinder retaining screw.
- (b) Insert the cylinder, (not supplied).
- (c) Secure the cylinder using the cylinder retaining screw.



4. Install the Strike

- (a) Install the strike into the door frame using the two No.8x25 screws supplied.



Cleaning and Maintenance

Although stainless steel is very resistant to corrosion, factors exist which cause stainless steel to stain or discolour, impairing the overall look. This brown discolouration, also known as tea staining, does not affect the structural integrity or the longevity of the material and it can be controlled.

Any discolouration should be removed immediately or permanent discolouration and pitting of the surface could occur. In most cases, if attended to immediately, the product can be restored to its original condition.

The following are recommendations to prevent and/or remove discolouration:

- **Wash Regularly** – In coastal or caustic environments stainless steel finishes may tea stain if not washed regularly to remove salt. Cleaning involves washing with a potable, low chloride water or washing with a neutral detergent followed by rinsing with potable water. If products are not regularly washed, pits may develop and the surface may be permanently damaged.
- **Cleaning** – Most discolouration can be removed with a mild cleanser

(Ajax, Detol, Sugar Soap etc.) or a specialist stainless steel cleanser (3M Stainless Steel Cleanser, Goddard's Stainless Steel Cleaner, Revere Ware Stainless Steel Cleanser etc.) and a non scratch cleaning sponge or cloth.

- Apply potable clean water with the cleaning sponge and rub gently. If the mark does not shift, apply the specialist stainless steel cleanser and rub gently. An old toothbrush can be used to get into any difficult areas. The surface should then be thoroughly rinsed with potable clean water and buffed with a soft cloth.

NEVER rub across the grain as the finish may be spoiled, the stainless may lose its shine and the finish may pull threads from the cloth which may be difficult to remove.

NEVER use steel wool to clean stainless steel. Steel wool is usually made from carbon steel and the fragments left behind, as well as scratching the surface, will rust onto the stainless steel surface causing further damage. If a scourer is to be used, use a plastic scourer such as Scotchbrite or a stainless steel wool scourer.

For detailed information about caring and maintaining stainless steel, please refer to the Austral website

www.ausloc.com

Allegion (Australia) Pty Ltd
Freephone: 1800 098 094
Email: auinfo@allegion.com
www.ausloc.com

Allegion (New Zealand) Limited
Freephone: 0800 477 869
Email: nzinfo@allegion.com
www.allegion.co.nz


ALLEGION™