



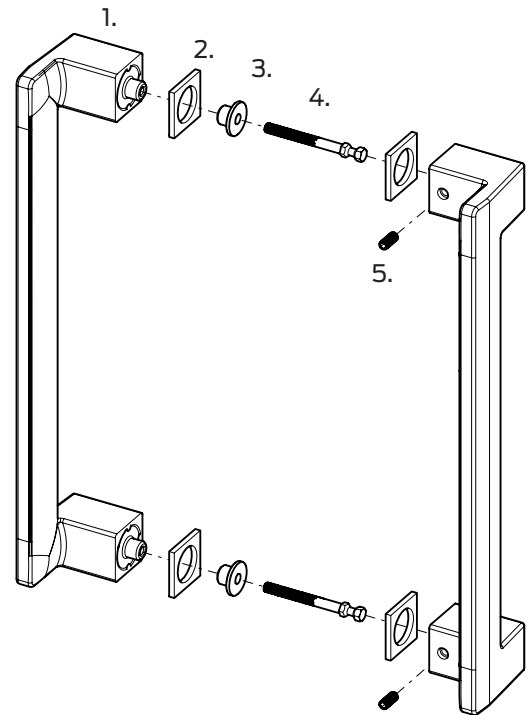
Verta Offset Pull Handle Installation Instructions

Contents

1. 1 x Pull handle Set (preassembled)
2. 4 x Pressure Pads (preassembled)
3. 2 x 2mm Washer (preassembled)
4. 2 x Short fixing screws M5 x 60 (preassembled)
5. 2 x Grub Screws (preassembled)
6. 2 x Long fixing screws M5x75 (in kit)
7. 1 x Allen key (in kit)

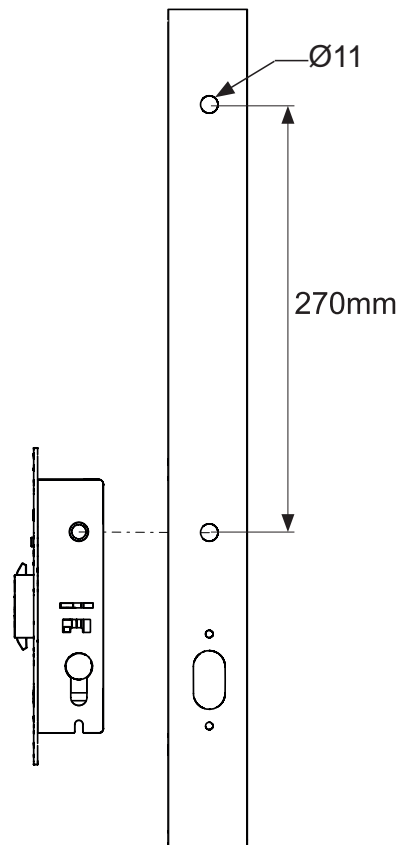
Tools Required

- Tape Measure
- Ø11mm Drill Bit
- Pencil
- Spirit Level
- Spanner



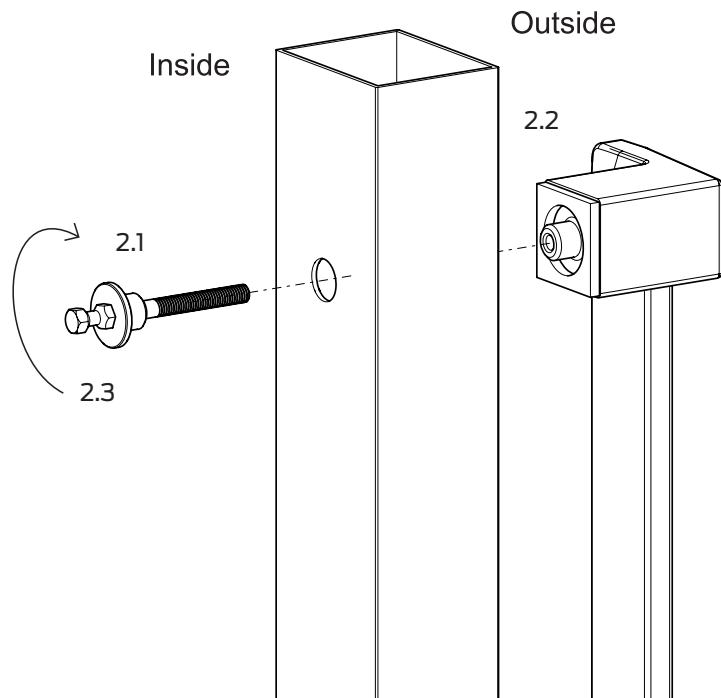
Step 1: Door Preparation

- 1.1 With a pencil, mark the centre of the holes to be drilled (both sides of door)
Ensure to allow for correct backset when installing with a mortice lock
- 1.2 Check alignment using a spirit level
- 1.3 Drill Ø11 mm holes, both sides
- 1.4 When installed with a mortice sliding door lock, (not included), align handle bottom hole with the hole through lock



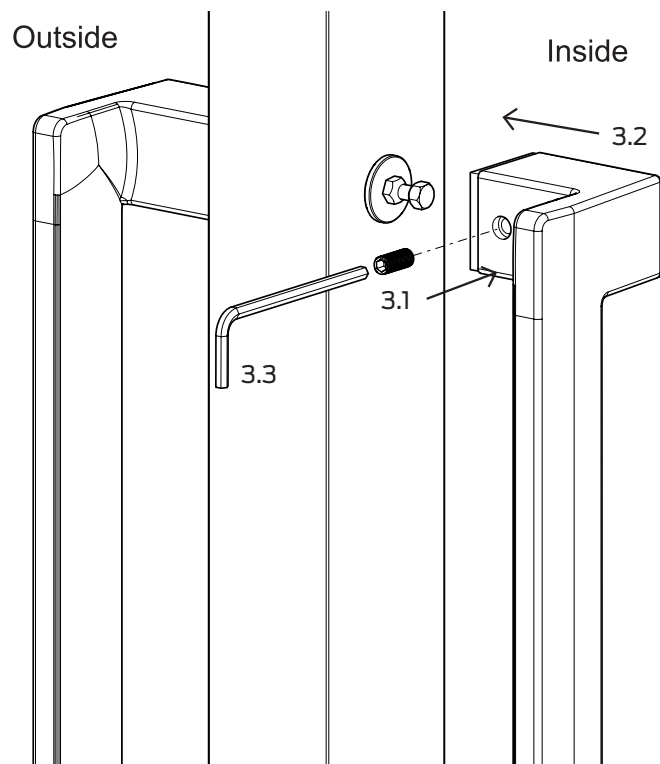
Step 2: Outside Handle Installation

- 2.1 Fit the screw and the washer as shown
NOTE: Use short set for door thickness up to 40 mm. Use long set for door thickness up to 55 mm
- 2.2 Place outside handle onto extrusion with the studs in the drilled holes
- 2.3 Secure from inside



Step 3: Inside Handle Installation

- 3.1 Ensure grub screws are fitted both ends of the inside handle without protruding in the main cavity
- 3.2 Position inside handle over the hex heads of the fixing screws on both ends and push until it is flush with door surface
- 3.3 Tighten grub screws using the Allen Key



Allegion New Zealand

Freephone 0800 477 869
Email nzinfo@allegion.com
www.allegion.co.nz



For more information visit
schlage.co.nz/verta

PDSC0050

© 2024 Allegion

