



Window Fasteners Vented, Non-Vented and Fixed Wedge Installation Instructions

Contents

- Window fastener (left or right handed)
- 3x wedges – 2mm, 3mm and 4mm (Vented and Non-Vented models only)
- 2x screws

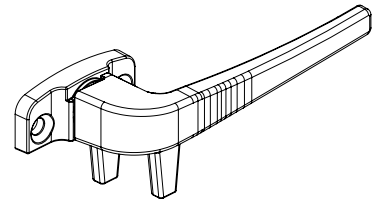
Tools Required

- For Retrofit Installation
- #1 square screwdriver
- For New Installation
- Pencil
 - Drill
 - 3.2mm drill bit
 - #1 square screwdriver

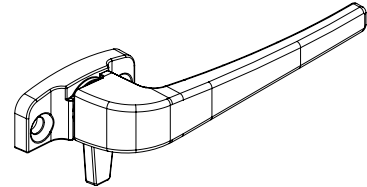
Fitment Specification

Suitable for face fixing on aluminium joinery only

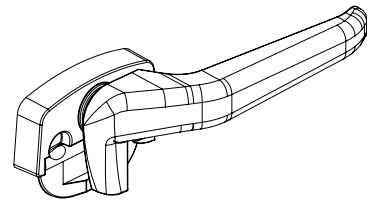
Vented



Non-Vented



Fixed Wedge



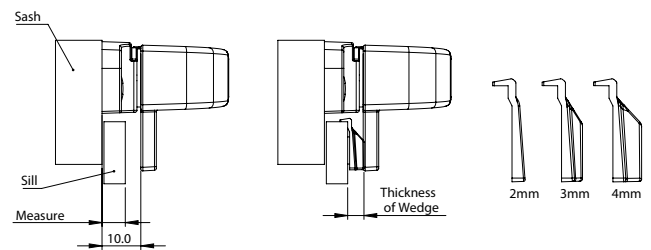
For Retrofit Installation

1. Before You Get Started

Check the new window fastener will fit your existing holes by positioning your existing lever against the drawing on the back of the packaging or flyer. If the screw holes align, the window fastener will be suitable for installation. The standard screw spacing for New Zealand homes is 32mm.

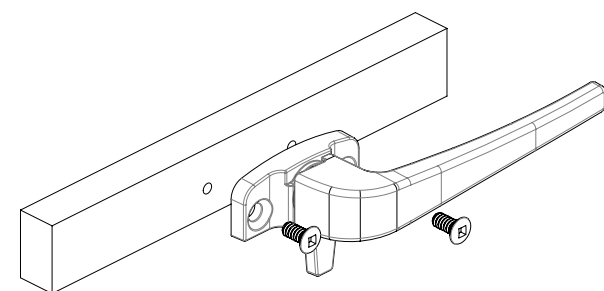
2. Remove Existing Hardware

Using a screwdriver, carefully remove the existing hardware from the window, or if riveted, drill out the head of the rivet. If you currently have a wedge and it is in good condition, it is not necessary to replace this and it can be used with the new fastener.



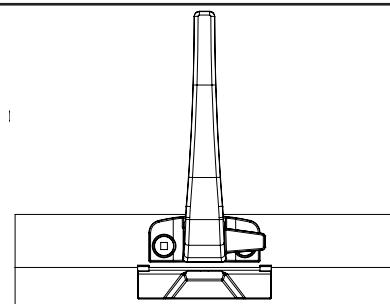
3. Select Your Wedge Size (Vented Or Non-Vented)

For vented or non-vented window fasteners, a set of wedges is provided within the pack. Measure the existing wedge thickness if you have one, or measure the distance from the front of the sash to the front of the sill. Subtract this number from 10 and select the wedge thickness that is closest to this number.



4. Secure New Window Fastener

Place the new window fastener in position over the existing holes. Using the screws provided, secure the fastener to the window sash.



5. Secure The Wedge (Vented Or Non-Vented)

If replacing the wedge, clean the surface of the sash with a dry cloth to remove any debris. Pull the window closed and position the lever in the upright position. Apply the double sided adhesive tape to the back of the wedge. Position the wedge to the sill making sure that it is centered beneath the fastener with the hooks resting on top of the sill. Press and hold the wedge in place for 1 minute.

6. Test Operation

Rotate the window fastener to the closed horizontal position. The tongue should glide over the top of the wedge and hold the window sash firmly against the frame for a weatherproof seal.

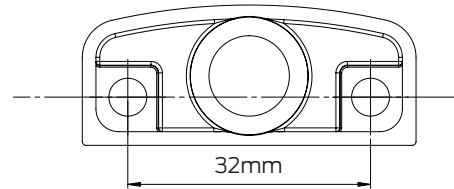


Window Fasteners Vented, Non-Vented and Fixed Wedge Installation Instructions

For New Window Fastener Installation

1. Before You Get Started

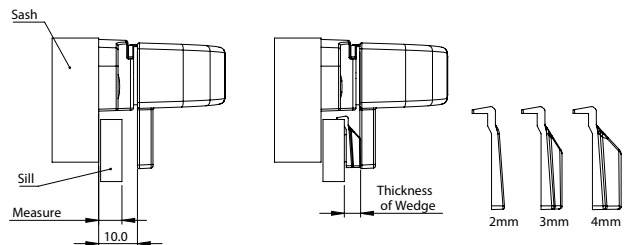
- Hold the fastener against the sash in the position where you want to install it. Check that the fastener tongue has good engagement with the sill and the fastener is below the level of the glass in the sash.
- Use a pencil to mark the top of the base on the sash. Rotate the lever 90 degrees to the base. Whilst still in position with the pencil mark, insert a pencil through the screw holes to mark the position of both screw holes on the sash.
- Confirm the distance between the marked hole positions with the drilling template on the back of the packaging. Fold the template in half along dotted line to check. Drill 2-3mm into the sash with a 3.2mm drill.



1:1 Scale

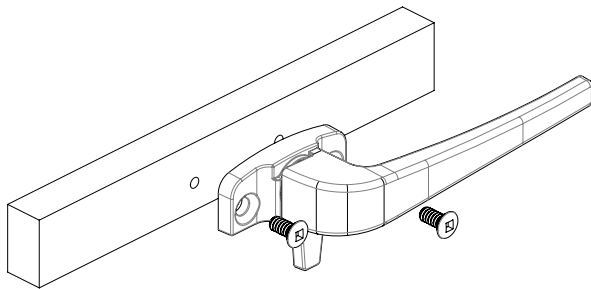
2. Select Your Wedge Size (Vented Or Non-Vented)

For vented or non-vented window fasteners, a set of wedges is provided within the pack. Measure the existing wedge if you have one, or measure the distance from the front of the sash to the front of the sill. Subtract this number from 10 and select the wedge thickness that is closest to this number.



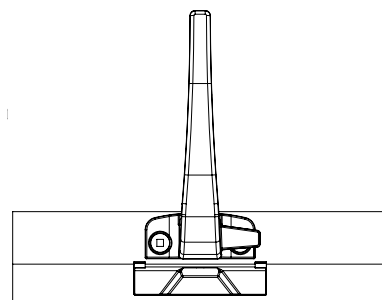
3. Secure New Window Fastener

Place the new window fastener in position over the holes. Using the screws provided, secure the fastener to the window sash. As you fasten the screws they will be cutting a thread into the hole in the sill.



4. Secure The Wedge (Vented Or Non-Vented)

Pull the window closed and position the lever in the upright position. Apply the double sided adhesive tape to the back of the wedge. Position the wedge to the sill making sure that it is centered beneath the fastener with the hooks resting on top of the sill. Press and hold the wedge in place for 1 minute.



5. Test Operation

Rotate the window fastener to the closed horizontal position. The tongue should glide over the top of the wedge and hold the window sash firmly against the frame for a weatherproof seal.

Warranty Conditions

Our goods come with guarantees that cannot be excluded under the local consumer law. You are entitled to have the goods repaired or replaced if the goods fail to be of acceptable quality and the failure does not amount to a major failure. The warranty does not cover any defect or damage which may be caused or partly caused if the goods are not properly maintained, installed or are not suitable for the specified application.

10 years mechanical warranty

For finish warranty, please refer to our website www.allegion.co.nz/finisheswarranty

Care and Maintenance

As part of a regular maintenance program, we recommend cleaning should be done using a soft cloth, mild detergent (e.g., dishwashing liquid) and warm water to lightly wipe down all exposed surfaces of the product. After cleaning, rinse thoroughly with clean water and dry the surface.



For more information visit schlage.co.nz
© 2024 Allegion



ALLEGION

Allegion (New Zealand) Limited

Freephone 0800 477 869

Email nzinfo@allegion.com

www.allegion.co.nz