



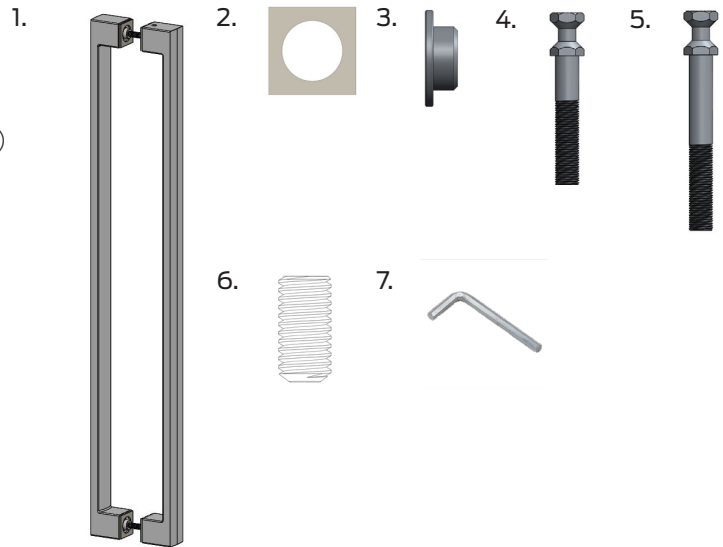
Verta 800mm Pull Handle Installation Instructions

Contents

1. 1 x Pull handle set (preassembled)
2. 4 x Pressure pads (preassembled)
3. 2 x 2mm Spacers (preassembled)
4. 2 x Short fixing screws M8 x 60 (preassembled)
5. 2 x Long fixing screws M8 x 75 (in kit)
6. 2 x Grub screws (preassembled)
7. 1 x Allen key (in kit)

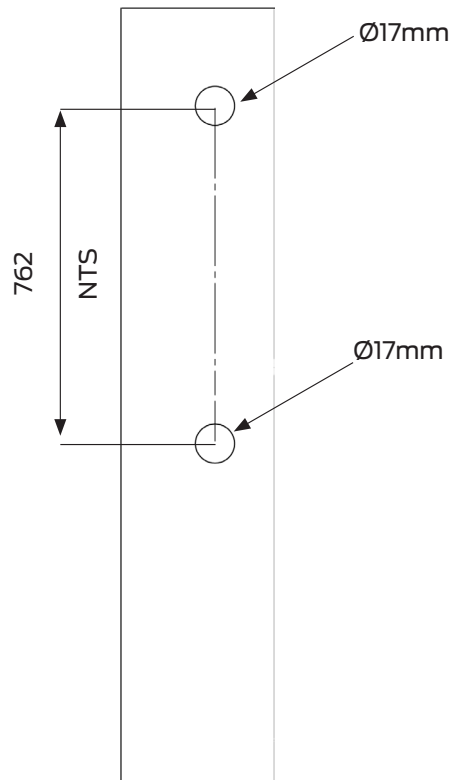
Tools Required

- Tape measure
- Ø17mm Drill bit
- Soft pencil
- Level
- Spanner



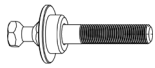
Step 1: Door Preparation

- 1.1 With a soft pencil, mark the centre of the holes to be drilled (both sides of door)
- 1.2 Check alignment using a level
- 1.3 Drill Ø17 mm holes, both sides



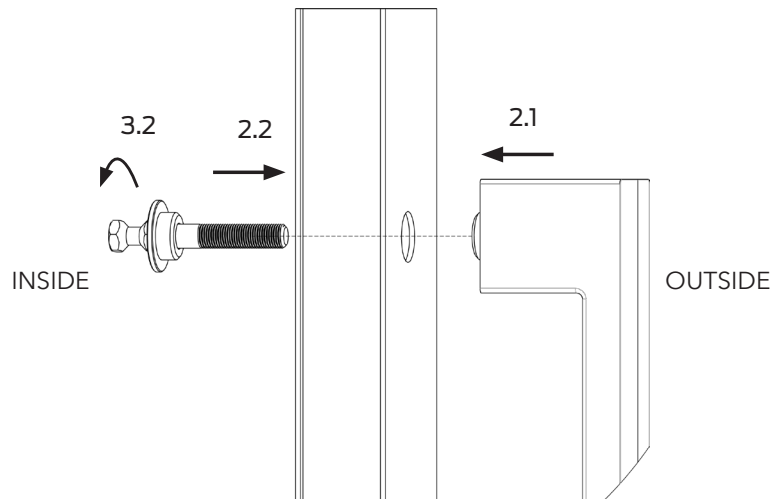
Step 2: Outside Handle Installation

2.1 Outside handle installation



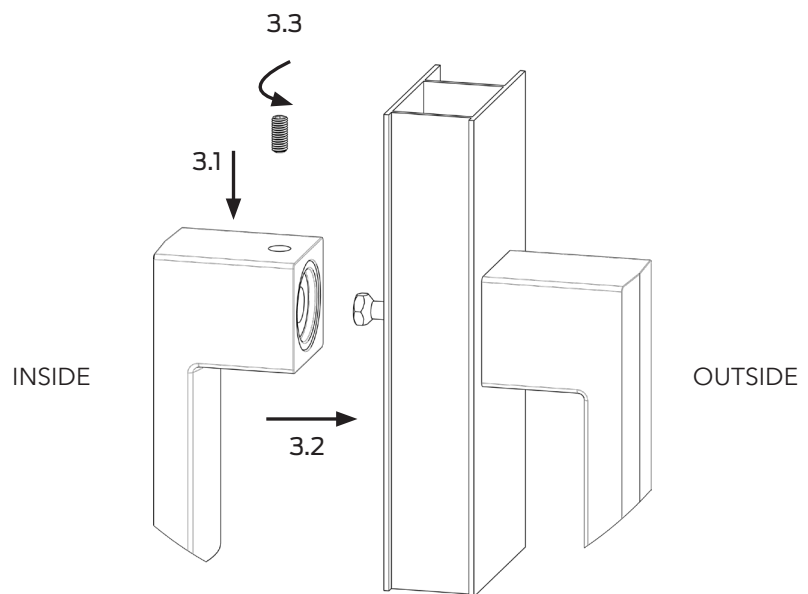
NOTE: Use short set for door thickness up to 40 mm. Use long set for door thickness up to 55 mm

- 2.2 Place outside handle onto extrusion with the studs in the drilled holes
- 2.3 Secure from inside



Step 3: Inside Handle Installation

- 3.1 Ensure grub screws are fitted both ends of the inside handle without protruding in the main cavity
- 3.2 Position inside handle over the hex heads of the fixing screws on both ends and push until it is flush with door surface
- 3.3 Tighten grub screws



Allegion New Zealand

Freephone 0800 477 869
Email nzinfo@allegion.com
www.allegion.co.nz



For more information visit
schlage.co.nz/verta

PDSC0046

© 2024 Allegion

