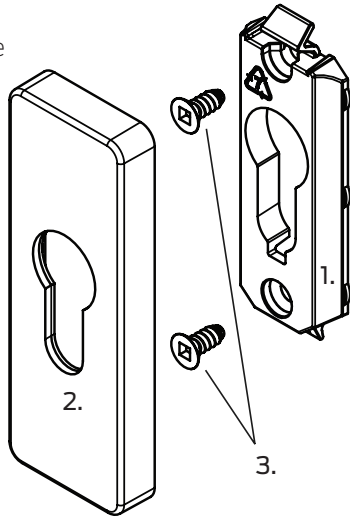




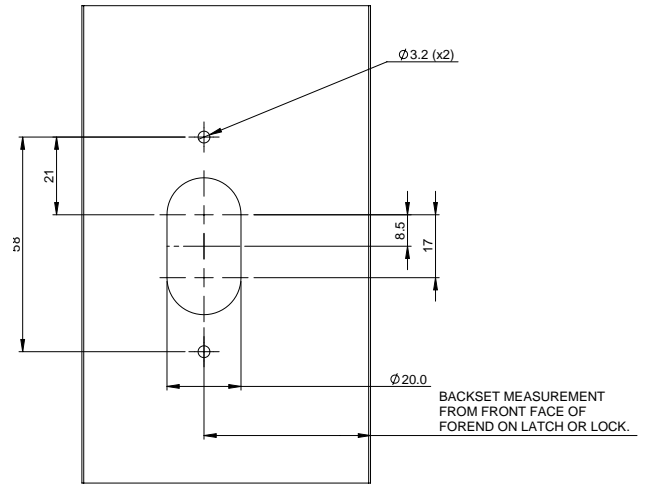
Verta Slim Euro Cylinder Escutcheon Installation Instructions

Contents

1. 1 x Escutcheon base
2. 1 x Escutcheon cap
3. 2 x Fixing screws

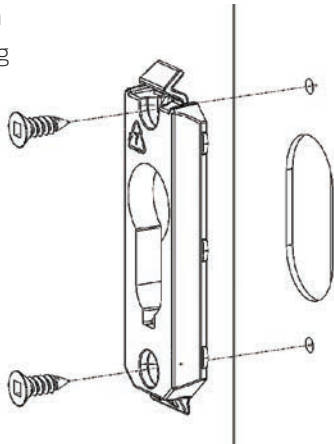


Step 1: Door Preparation



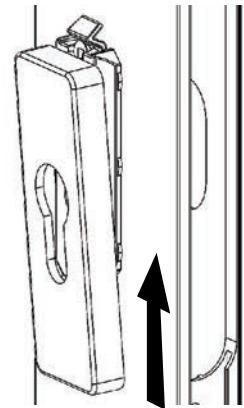
Step 2: Base Fitment

- 2.1 Fit the escutcheon base using 2x fixing screws provided



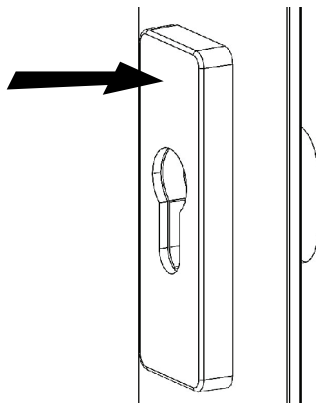
Step 3: Escutcheon Fitment

- 3.1 Mount escutcheon on to the base at the bottom



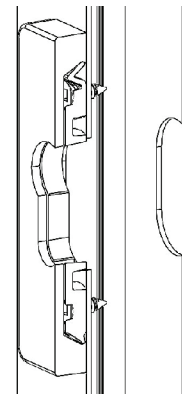
Step 4: Escutcheon Fitment Continued

- 4.1 Press fit the escutcheon on to the base top snap clip



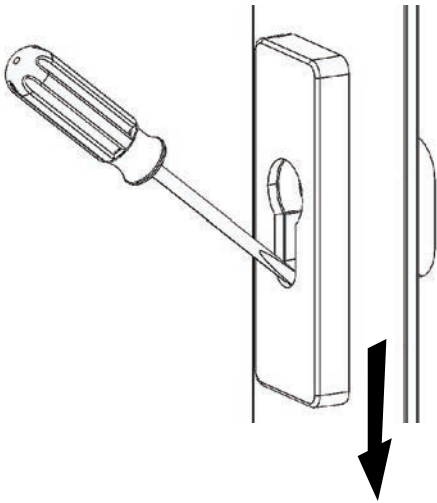
Step 5: Escutcheon Fitment Continued

- 5.1 Escutcheon mounted cross section



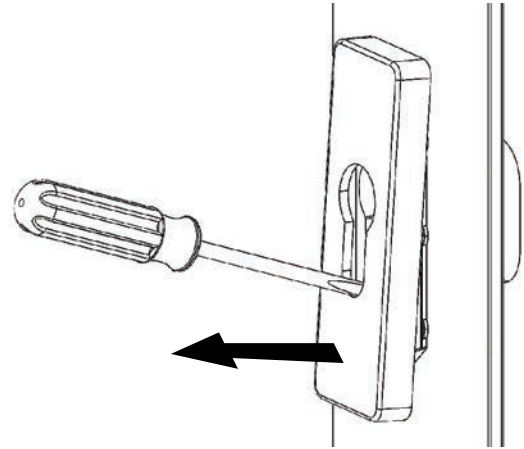
Step 6: Escutcheon Removal

- 6.1 Use a screw driver to push the escutcheon down to release it from the bottom of the base



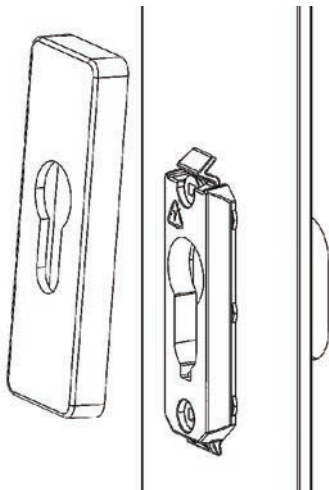
Step 7: Escutcheon Removal

- 7.1 Once released, pull the escutcheon away from the door

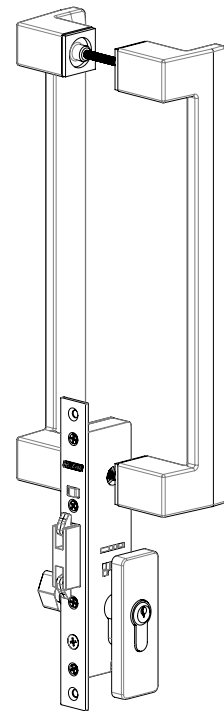


Step 8: Escutcheon Removal

- 8.1 Remove the escutcheon



Installed Product



Allegion New Zealand

Freephone 0800 477 869
Email nzinfo@allegion.co.nz
www.allegion.co.nz



For more information visit
schlage.co.nz/verta

PDSC0048

© 2024 Allegion

