



# Verta Window Fastener Installation Instructions

## Contents

1. Window Fastener (left or right hand)
2. 2 x Fixing screws

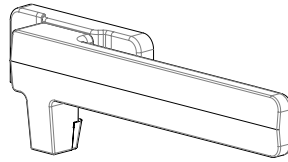
## Tools Required

- Soft pencil
- Drill
- 3.2mm drill bit
- Screwdriver

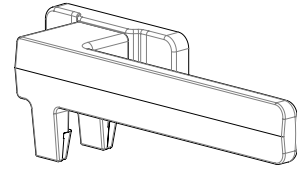
## Note

- Suitable for awning windows over 400mm high and casement windows over 400mm wide
- Offset between window and back of load pad is 6mm

1.



Low Profile



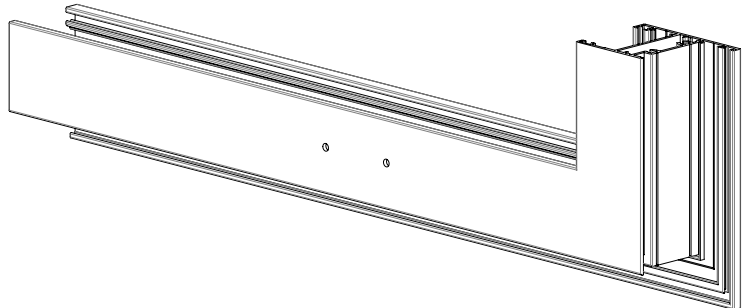
High Profile

2.



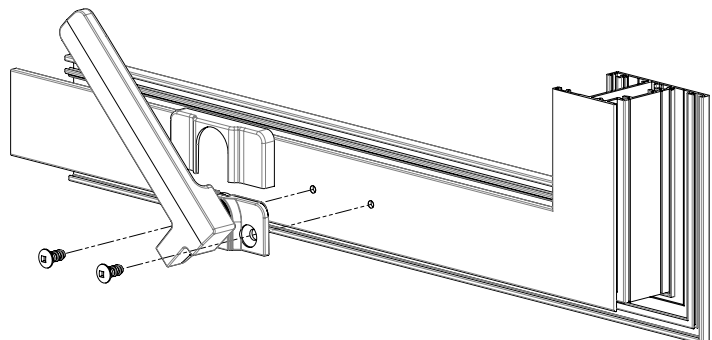
## Step 1: Window Preparation

- 1.1 Using the window fastener as a guide, insert a pencil through the screw holes to mark the position of both screw holes on the sash
- 1.2 Confirm the distance between the marked hole positions is 32mm apart, centre to centre
- 1.3 Drill x2 3.2mm diameter holes



## Step 2: Window Fastener Installation

- 2.1 Remove the cover
- 2.2 Place the window fastener in position over the holes
- 2.3 Using the self-tapping screws (provided) secure the fastener to the window sash
- 2.4 Test the handle operation and ensure all fixings are tight
- 2.5 Install the fixings cover



### Allegion New Zealand

Freephone 0800 477 869  
Email [nzinfo@allegion.com](mailto:nzinfo@allegion.com)  
[www.allegion.co.nz](http://www.allegion.co.nz)



For more information visit  
[schlage.co.nz/verta](http://schlage.co.nz/verta)

PDSC0049

© 2024 Allegion

