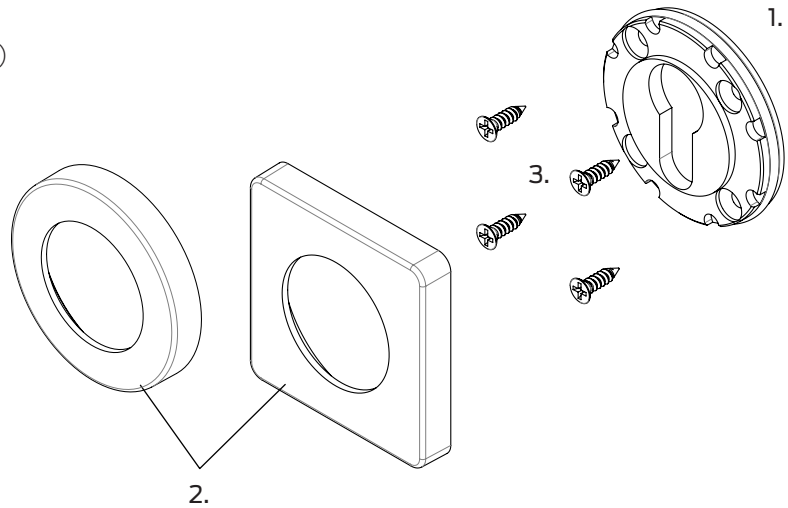




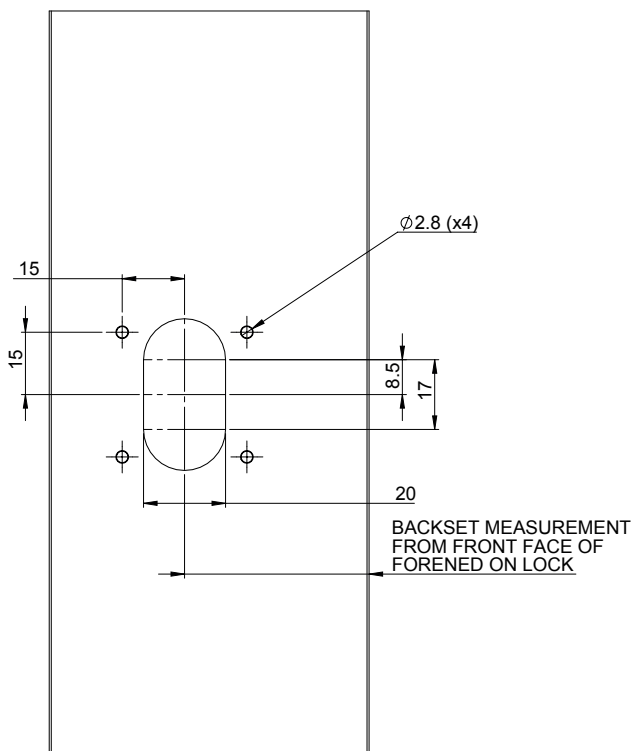
Verta Euro Cylinder Escutcheon Installation Instructions

Contents

1. 1 x Escutcheon base
2. 1 x Escutcheon cap (square or round)
3. 4 x Fixing screws

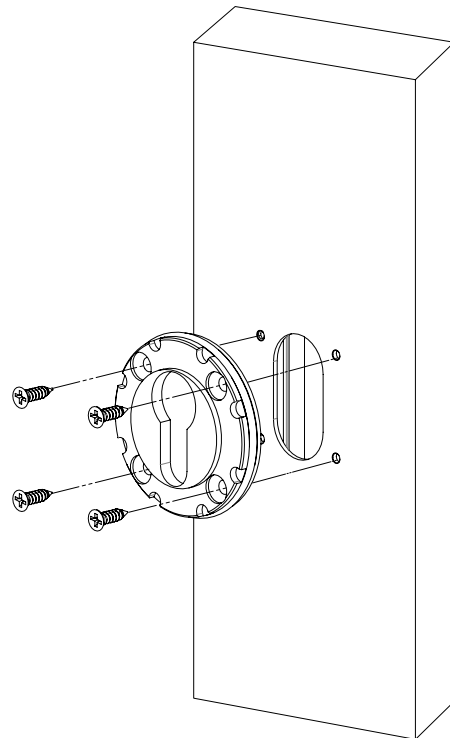


Step 1: Door Preparation



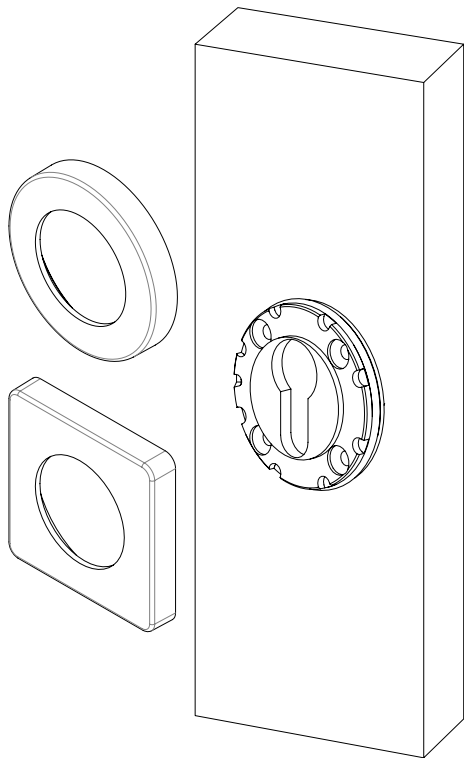
Step 2: Base Fitment

- 2.1 Fit the escutcheon base using 4x fixing screws provided



Step 3: Escutcheon Fitment

3.1 Press fit the escutcheon cap* onto the base



*square or round

Step 4: Installed Product

