



911402-00

33/35A Series

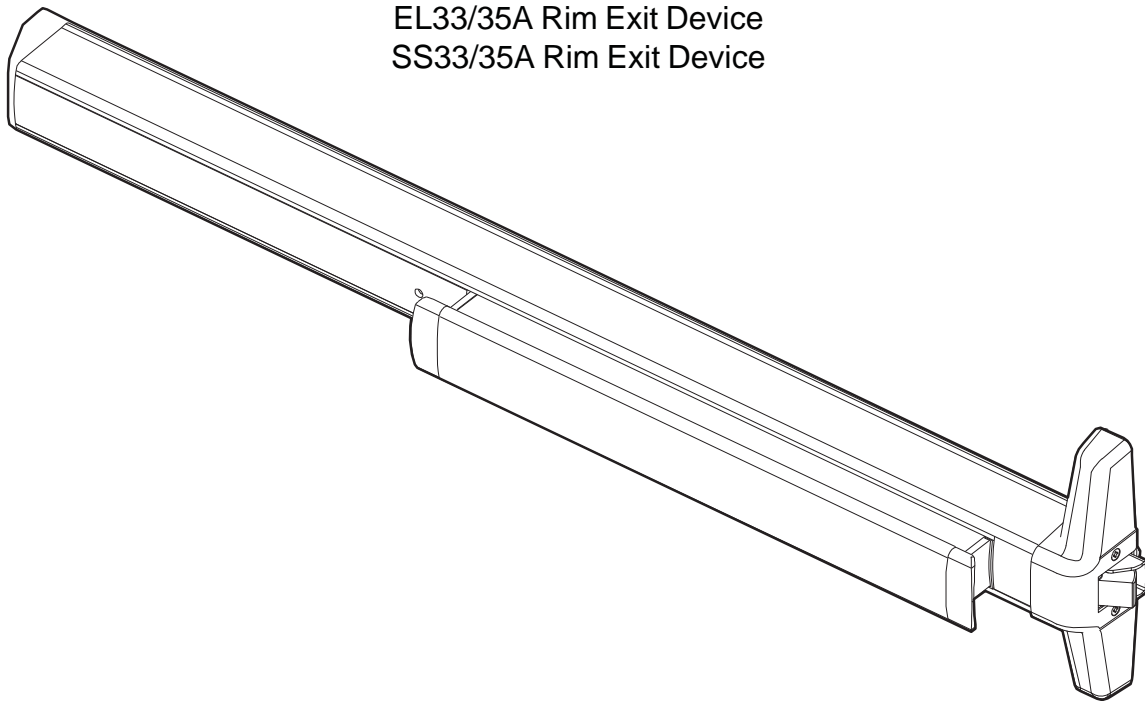
VON DUPRIN®

Rim Exit Device

Installation Instructions

Devices covered by these instructions:

- 33/35A Rim Exit Device
- CD33/35A Rim Exit Device
- EL33/35A Rim Exit Device
- SS33/35A Rim Exit Device



Special tools needed:

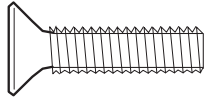
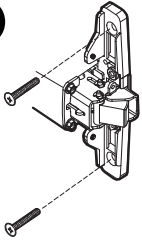
5/64" hex wrench
 #10-24 tap
 Drill bits: #25, 1/8", 1/4",
 5/16", 13/32"

Index:

- Screw chart 2
- Device installation 3-5
- Optional equipment 6
- Strike preparation 7-8
- Templates 9-10

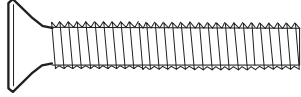
SCREW CHART

A



1/4-20 x 1" _____

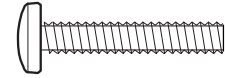
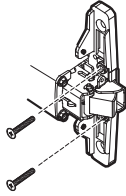
Trim mount or sex bolts:
(1-3/4" door)



1/4-20 x 1-1/2" _____

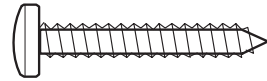
(2-1/4" door)

B



#10-24 X 1" _____

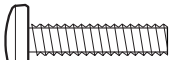
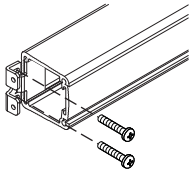
Metal door surface mount
(Yellow)



#10 X 1-1/4" _____

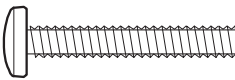
Wood door surface mount

C



#10-24 X 3/4" _____

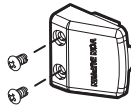
Surface mount or
Sex bolts 1-3/4" door (silver)



#10-24 X 1-1/8" _____

Sex bolts 2-1/4" door (silver)

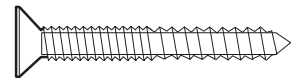
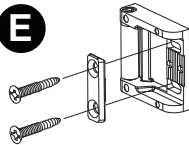
D



#10-16 X 3/8" Thread cutting _____

End cap

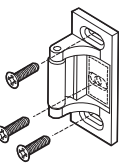
E



#10-12 x 10-24 x 1-1/4" combination _____

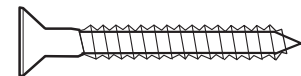
Metal or wood frame

F



#10-24 X 3/4" _____

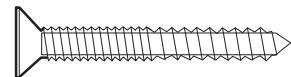
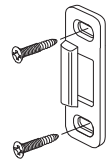
Metal frame



#10 X 1-1/2" Wood screw _____

Wood frame

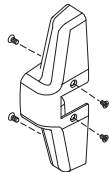
G



#10-12 x 10-24 x 1-1/4" combination _____

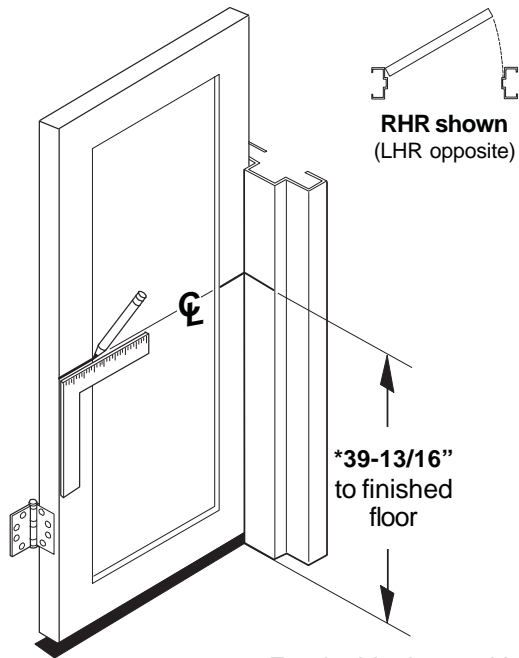
Metal or wood frame

H



#8-18 x 3/8" thread cutting _____

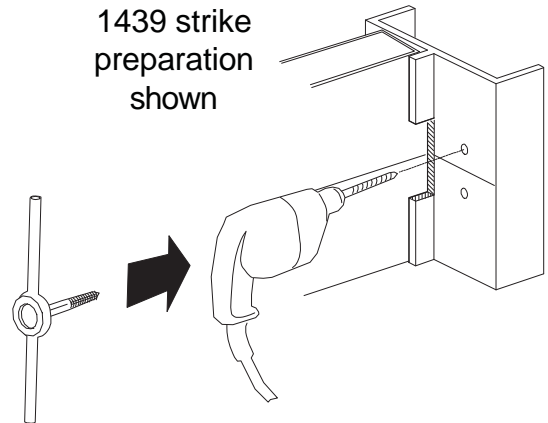
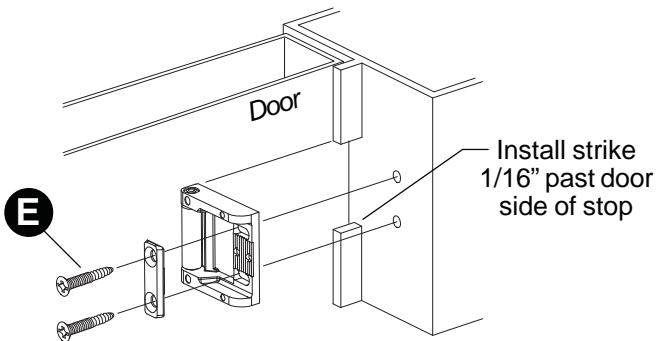
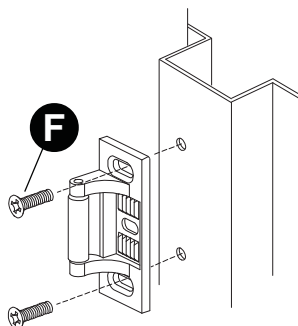
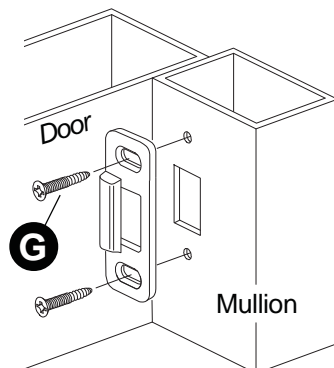
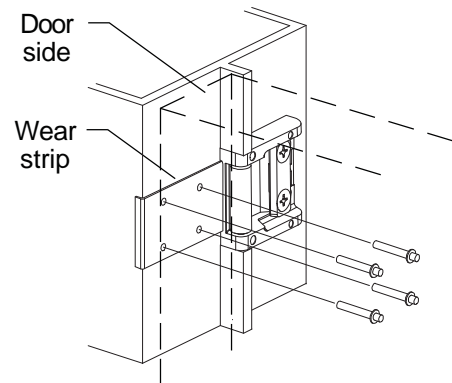
Center case cover

1**Draw device center line (C) on door and frame as shown.**

* For double doors with a mullion and strike already installed, use existing strike center line.

2**Prepare frame for strike using paper templates.**

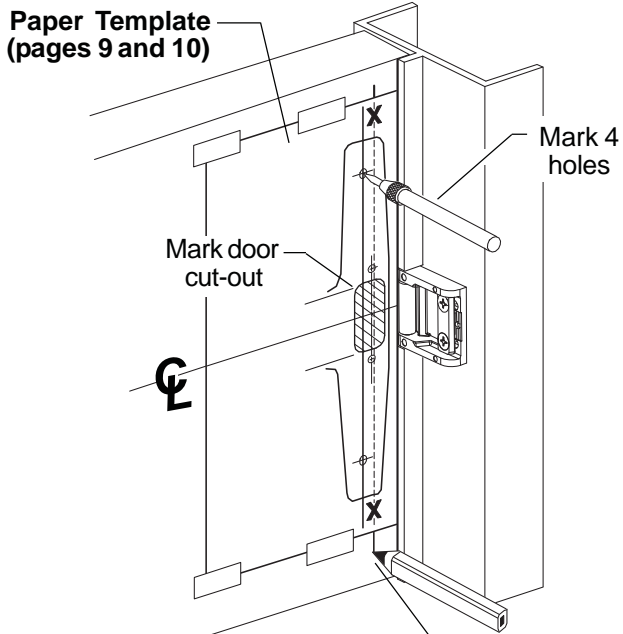
See pages 7 and 8 for strike templates and frame preparation dimensions.

**3****Install strike using two screws only at this time.****1439 Strike (standard)****299 Strike****1606 Strike****4****If using a 1439 strike, install wear strip. If not, go to step 5.**

- A. Center wear strip on strike as shown.
- B. Mark and drill 1/8" dia. holes (4 places).
- C. Install wear strip with flat head drive rivets (4 places) from 1439 strike package.

5

Tape template to door and mark door.



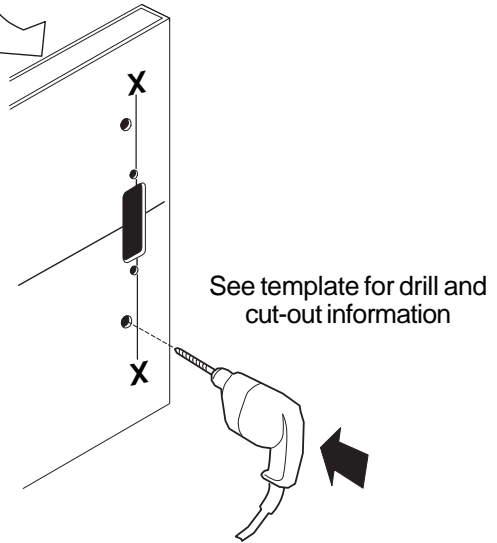
Mark vertical line X-X for trim alignment

Note: Line X-X is a reference line on the paper template used for trim and exit device alignment. Line X-X shown here should correspond to line X-X in the trim installation instructions

6

Prepare lock side of door for device and trim.

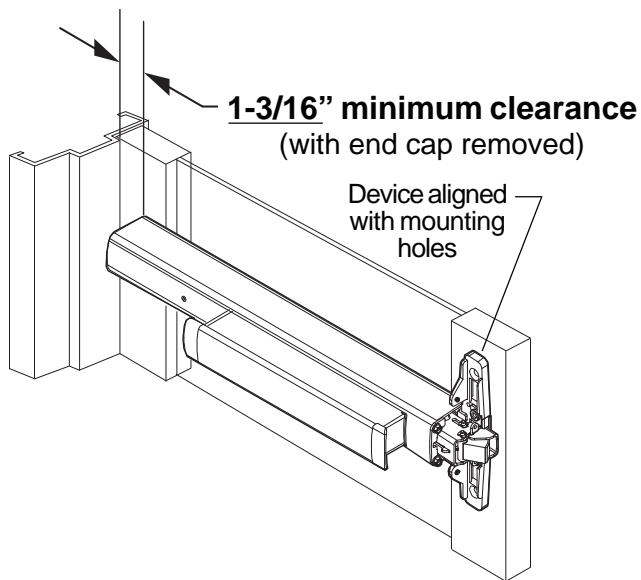
See trim instructions for pull side door preparation.



See template for drill and cut-out information

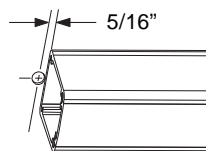
7

Measure to determine length to cut device.



1-3/16" minimum clearance (with end cap removed)

Device aligned with mounting holes



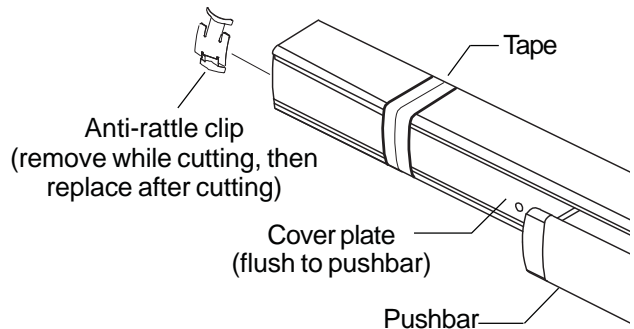
Note

If 5/8" diameter wire access hole has been predrilled in door, cut device 5/16" from center of hole.

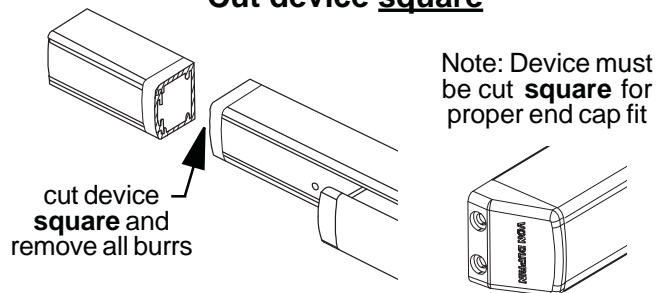
8

Cut device to length.

Prepare device for cutting



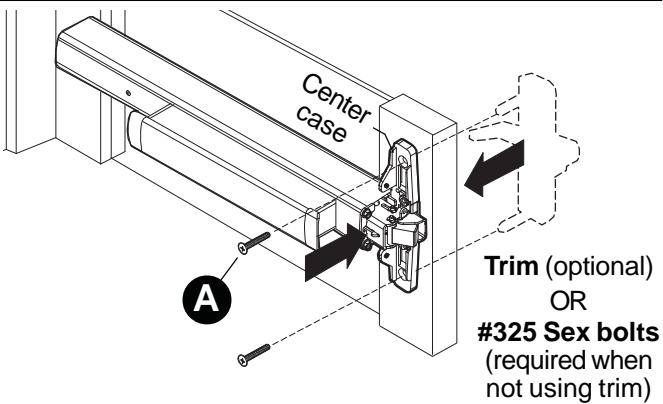
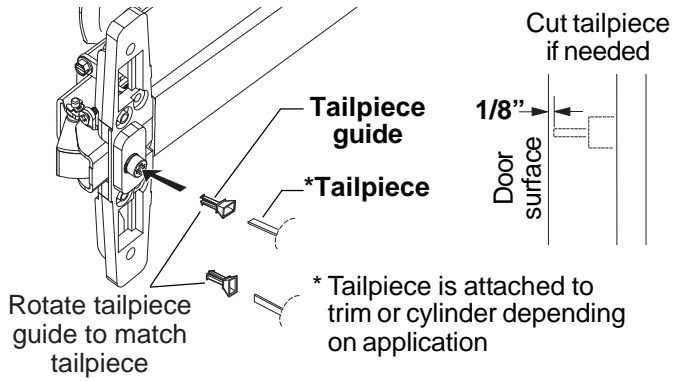
Cut device square



Note: Device must be cut square for proper end cap fit

9

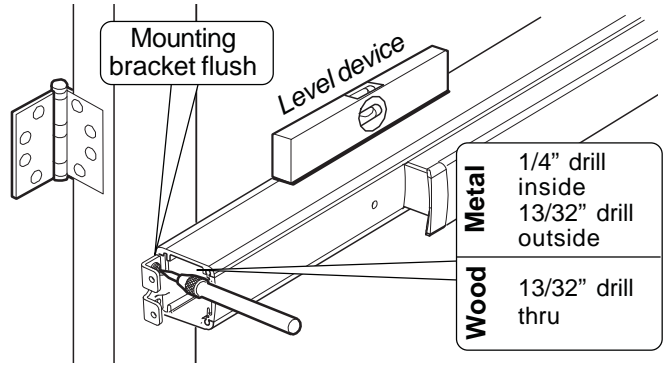
Install trim (if using) and secure device center case to door.



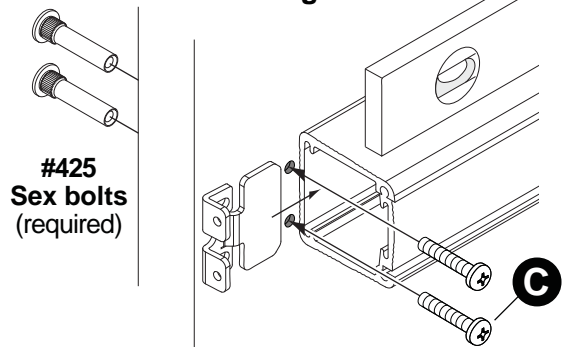
10

Install hinge stile mounting bracket.

Mark and prepare 2 mounting holes



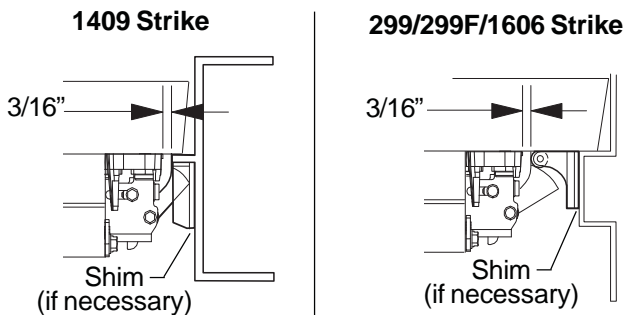
Secure mounting bracket



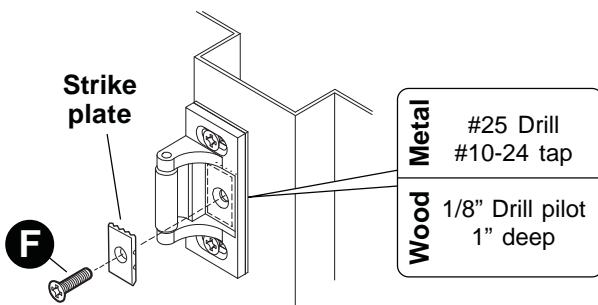
11

Adjust strike with shim (if necessary) and secure strike.

Shim strike for 3/16" clearance to chassis

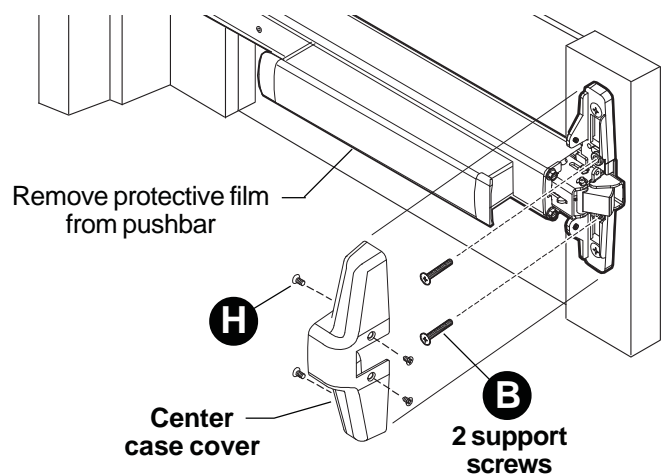


299 - Add plate and middle screw

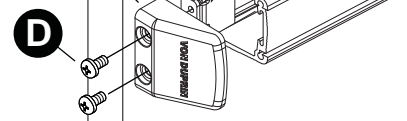


12

Install 2 support screws, center case cover, and end cap.



End cap



OPTIONAL EQUIPMENT

CD (CYLINDER DOGGING)

1. Remove mortise cylinder cam and reinstall in reverse (Figure 1).
2. Insert key and rotate cam to install the cylinder to the cover plate (Figure 2).
3. Remove key to slide cover plate in position in the mechanism case.

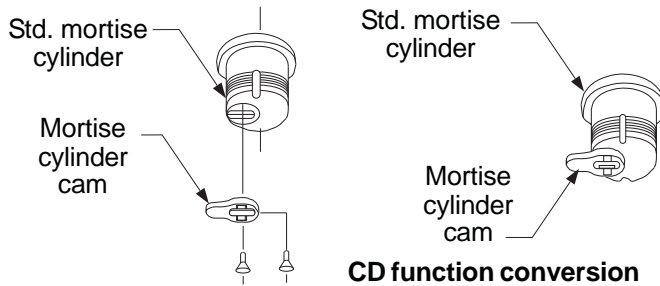


Figure 1

Dogging procedure

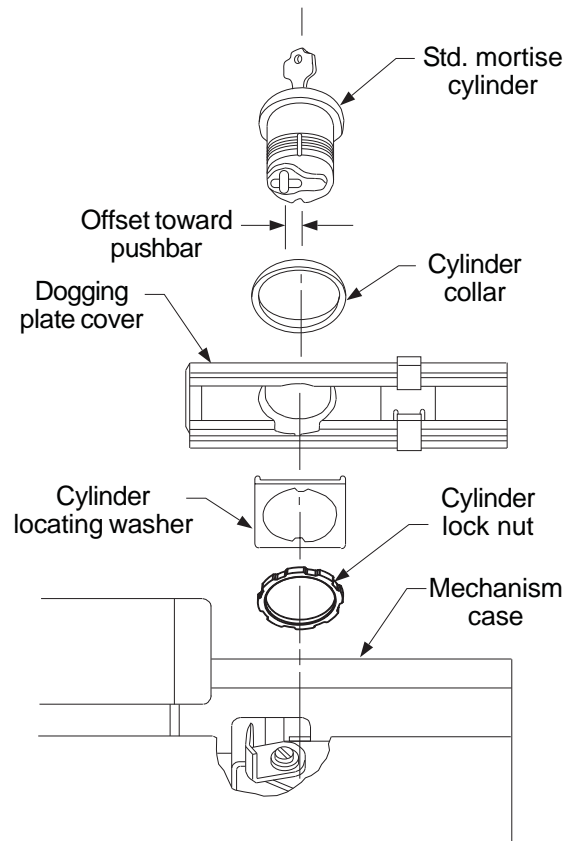
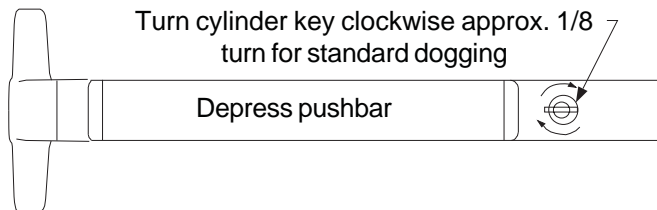
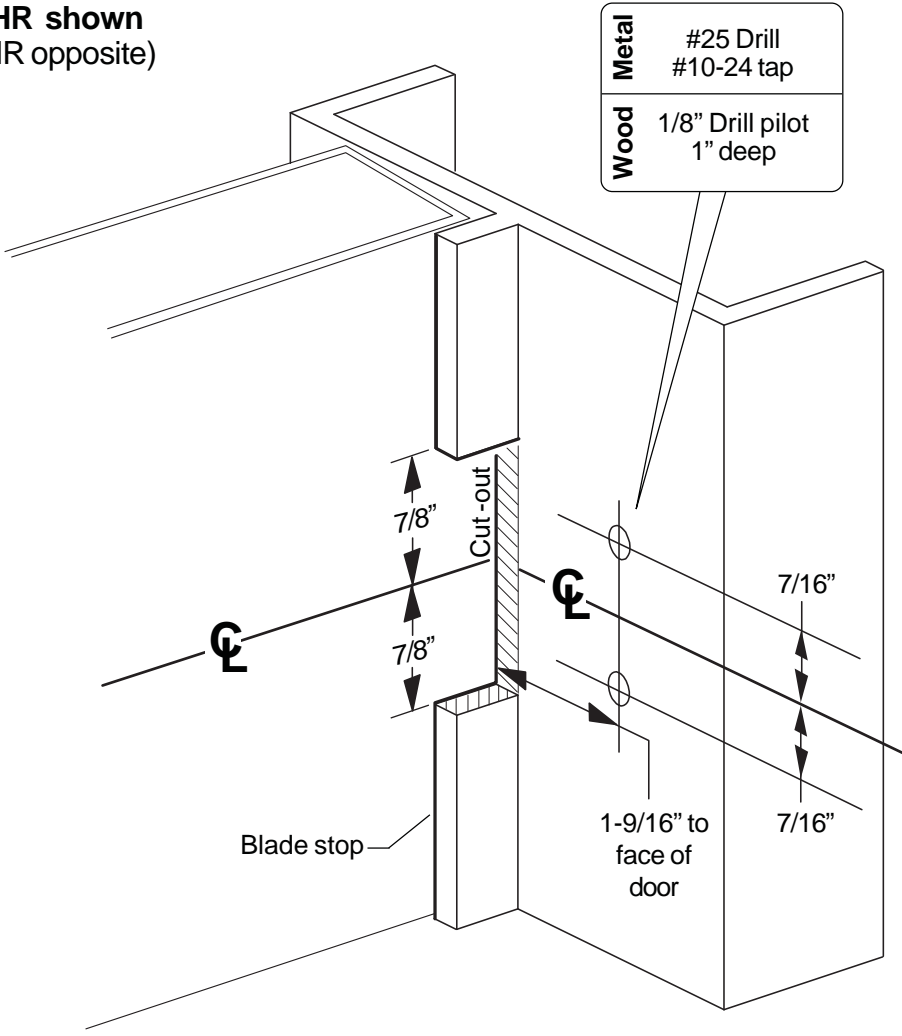
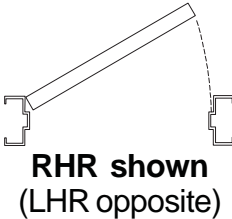
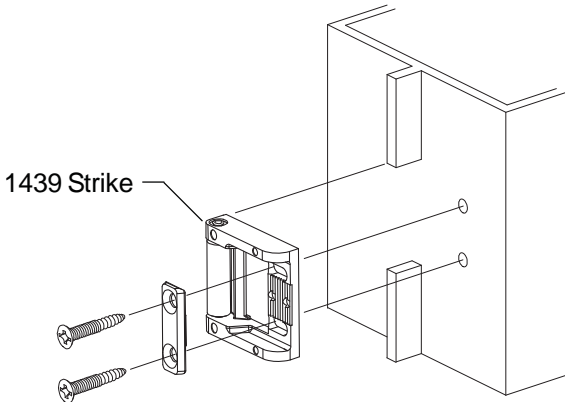
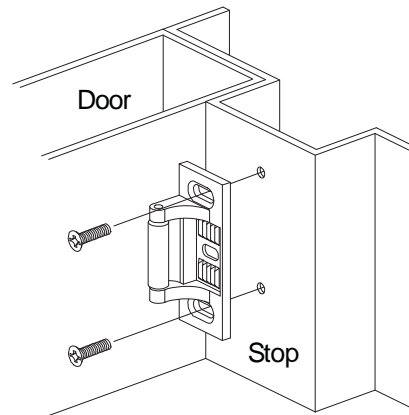


Figure 2

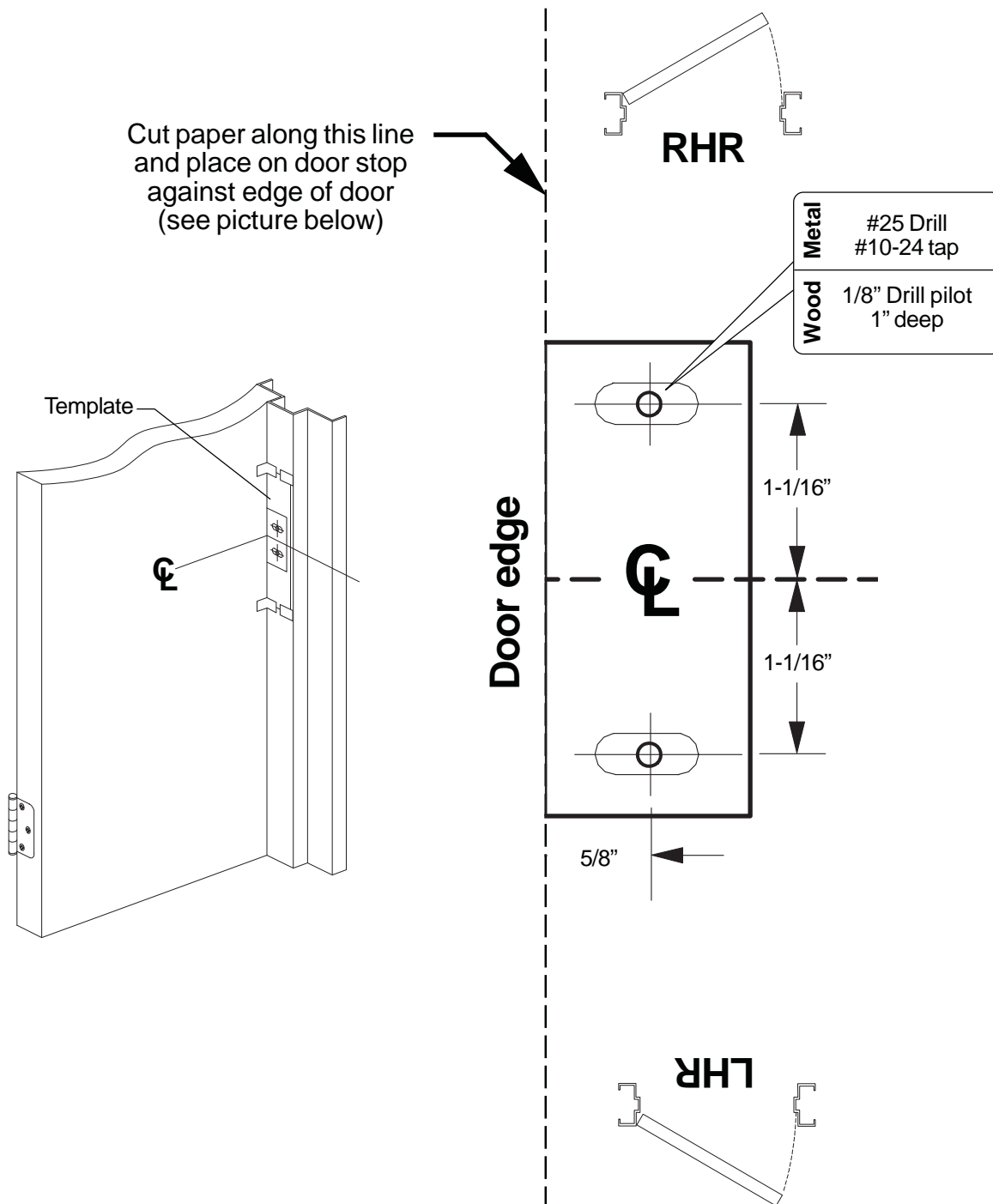
1439 Strike Frame Preparation



299 Strike Template



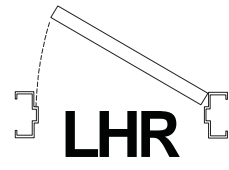
Cut paper along this line and place on door stop against edge of door (see picture below)



33/35A Rim device Template

Line X-X is a reference line for trim and exit device alignment.
Line X-X shown here should correspond to line X-X in the trim installation instructions

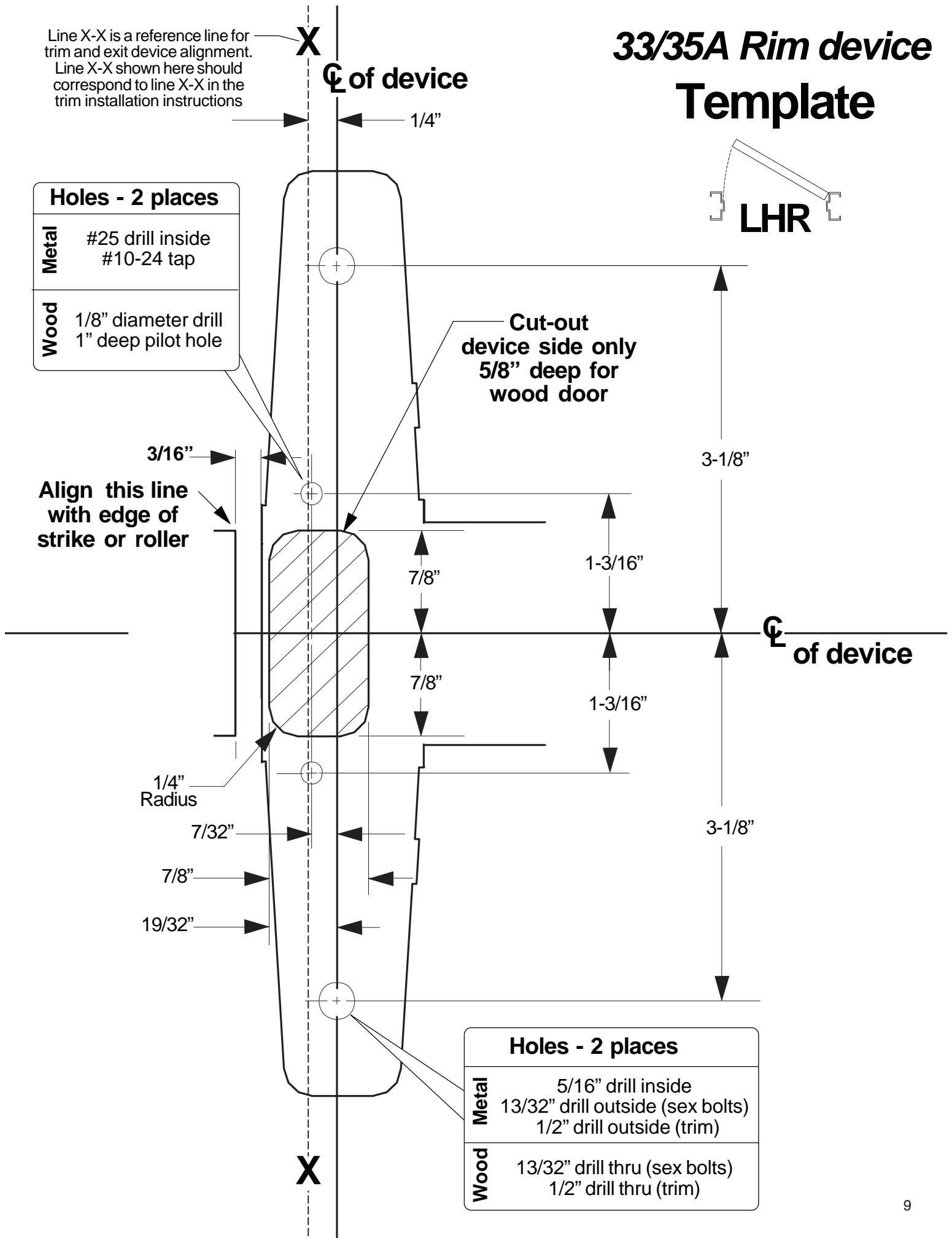
X
☉ of device
1/4"



| Holes - 2 places | |
|------------------|---|
| Metal | #25 drill inside #10-24 tap |
| Wood | 1/8" diameter drill 1" deep pilot hole |

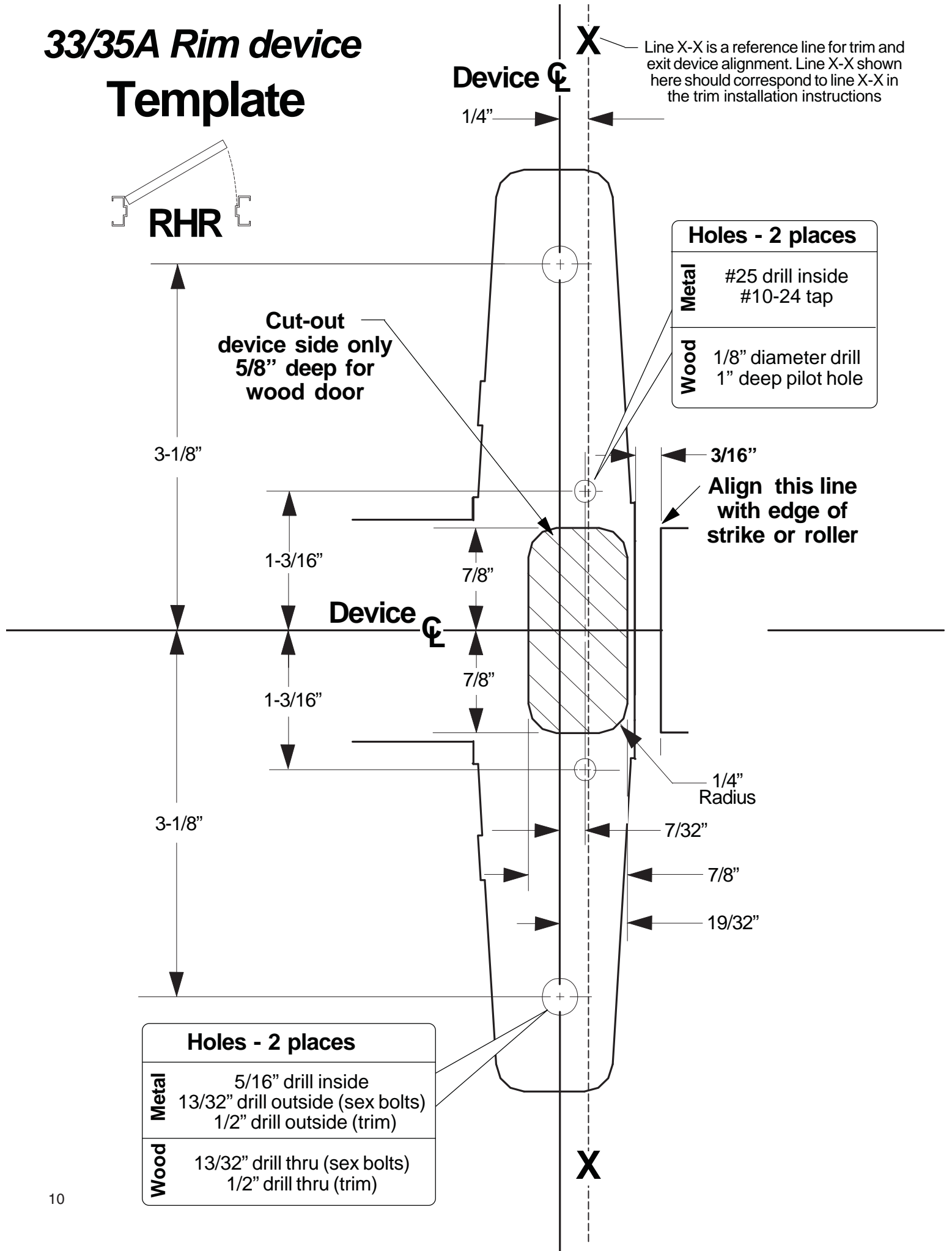
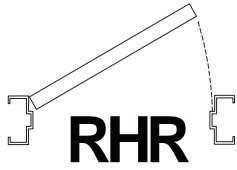
Cut-out device side only
5/8" deep for wood door

3/16"
Align this line with edge of strike or roller



| Holes - 2 places | |
|------------------|---|
| Metal | 5/16" drill inside 13/32" drill outside (sex bolts) 1/2" drill outside (trim) |
| Wood | 13/32" drill thru (sex bolts) 1/2" drill thru (trim) |

33/35A Rim device Template



This page
intentionally
left blank



| | |
|-------------------------|--|
| Customer Service | |
| 1-877-671-7011 | www.allegion.com |

© Allegion 2014
Printed in U.S.A.
911402-00 Rev. 01/14-c